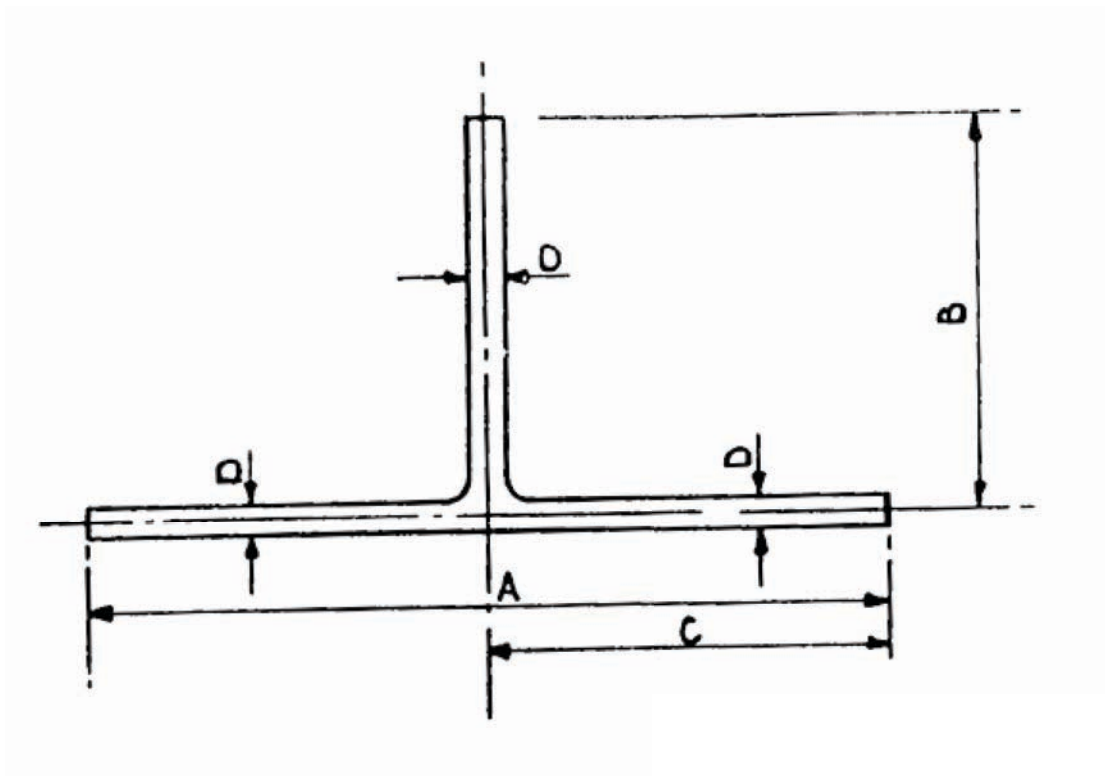
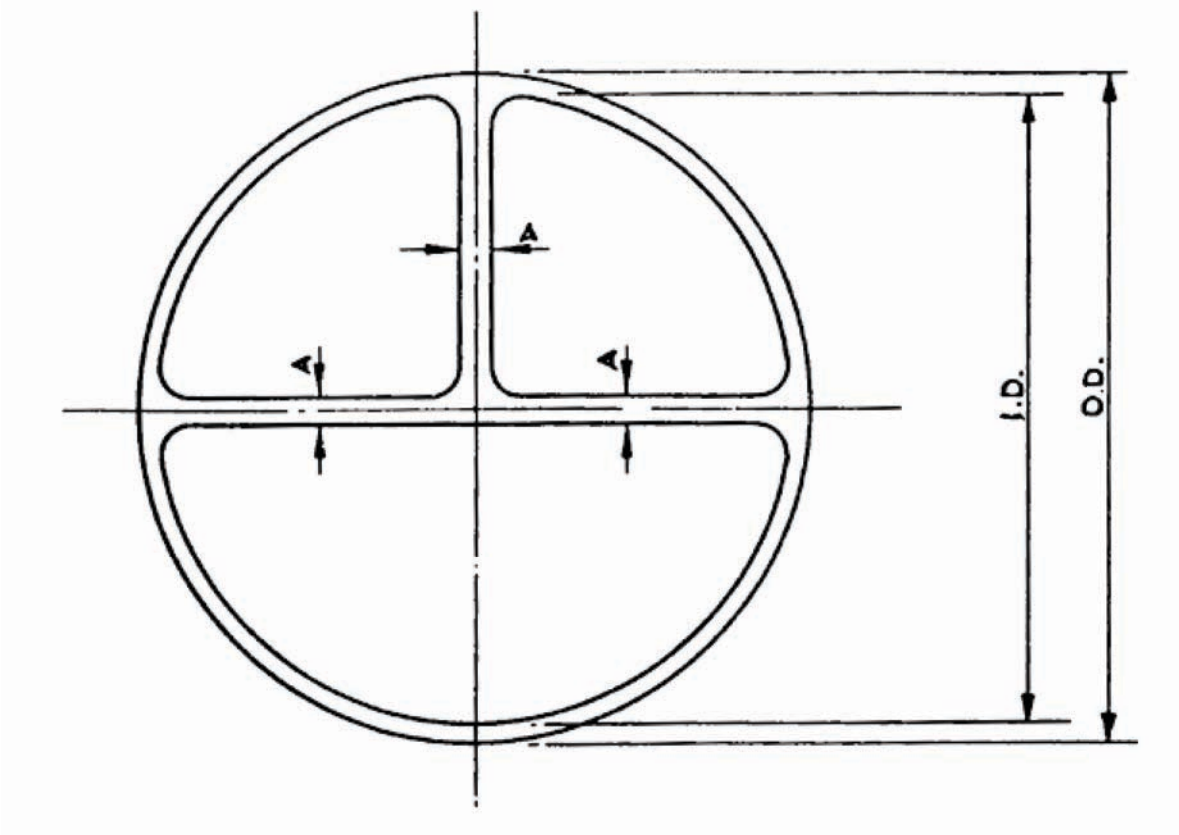


ERIKS shape type T

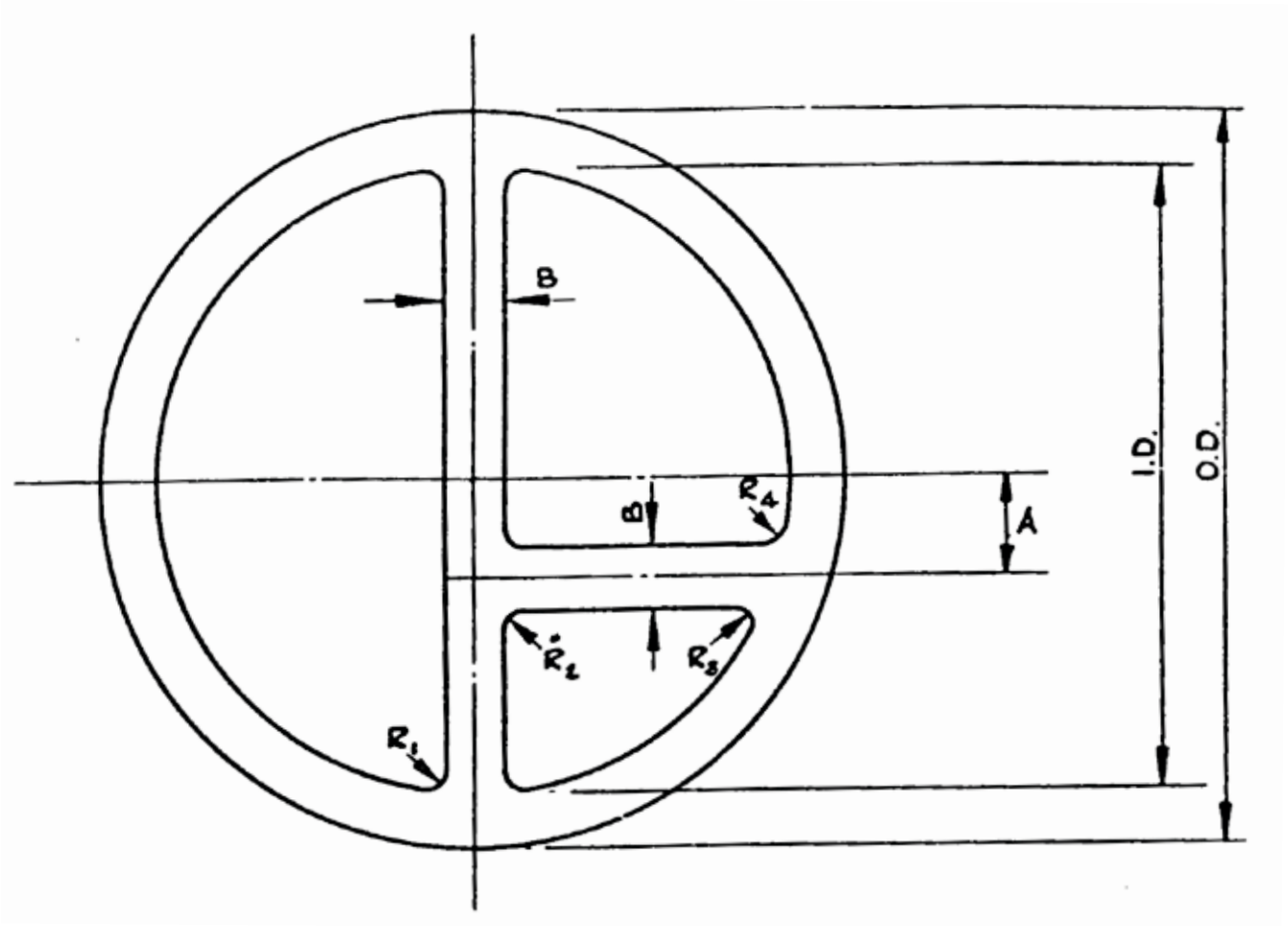


ERIKS shape type 1T



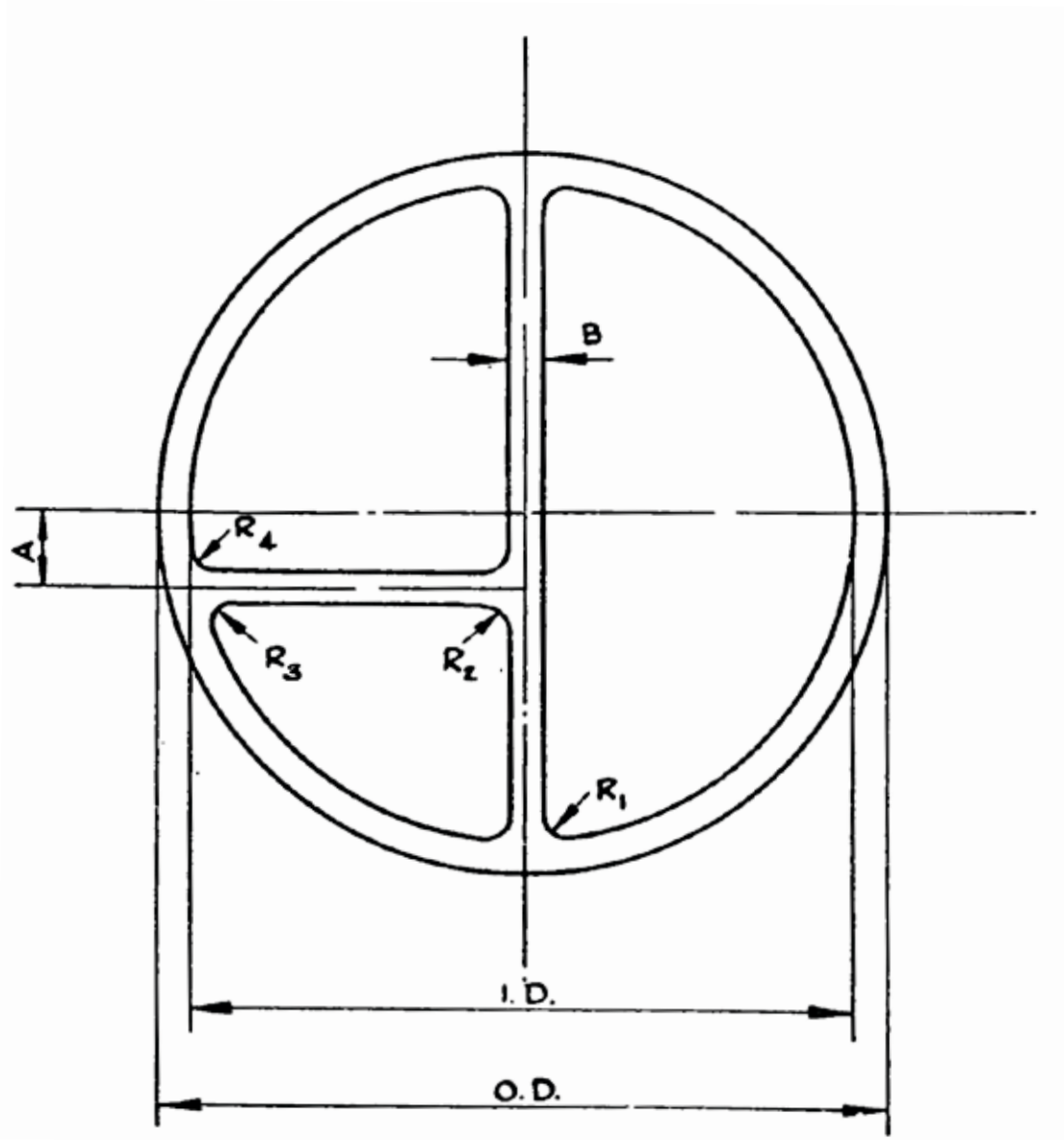
This information is, to the best of our knowledge, accurate and reliable to the date indicated. The above mentioned data have been obtained by tests we consider as reliable. We don't assure that the same results can be obtained in other laboratories, using different conditions by the preparation and evaluation of the samples.

ERIKS shape type 1T1



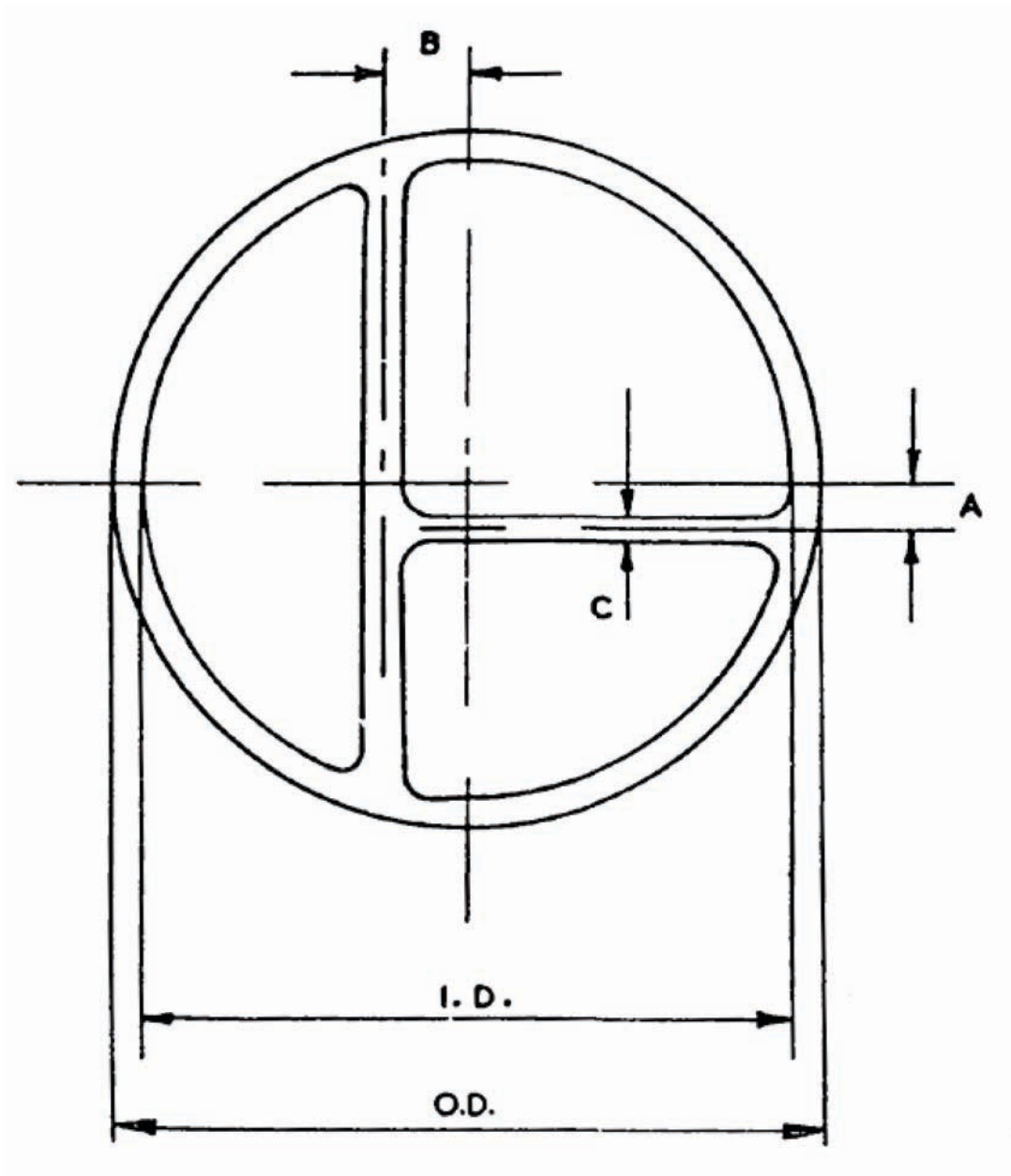
This information is, to the best of our knowledge, accurate and reliable to the date indicated. The above mentioned data have been obtained by tests we consider as reliable. We don't assure that the same results can be obtained in other laboratories, using different conditions by the preparation and evaluation of the samples.

ERIKS shape type 1T2



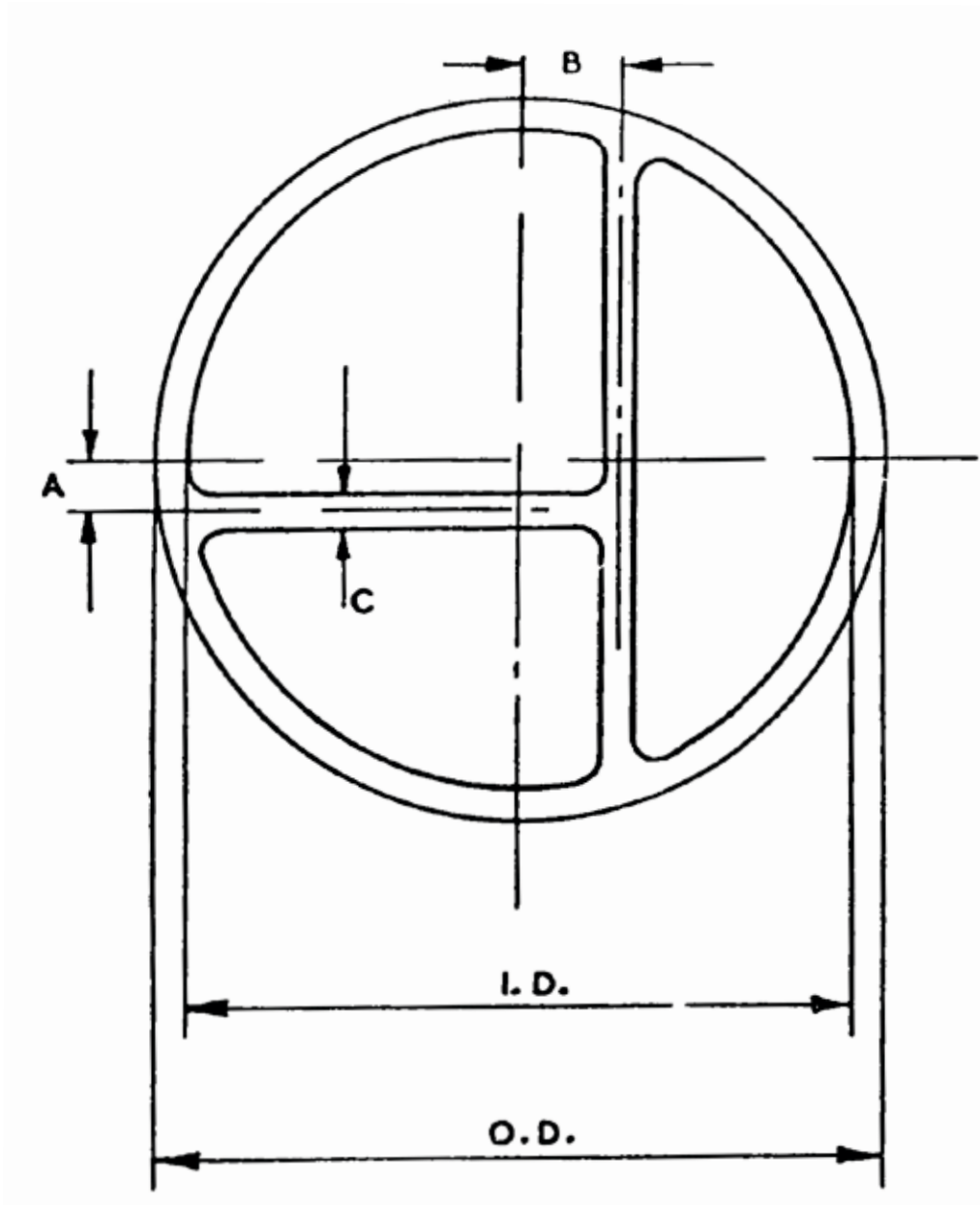
This information is, to the best of our knowledge, accurate and reliable to the date indicated. The above mentioned data have been obtained by tests we consider as reliable. We don't assure that the same results can be obtained in other laboratories, using different conditions by the preparation and evaluation of the samples.

ERIKS shape type 1T3



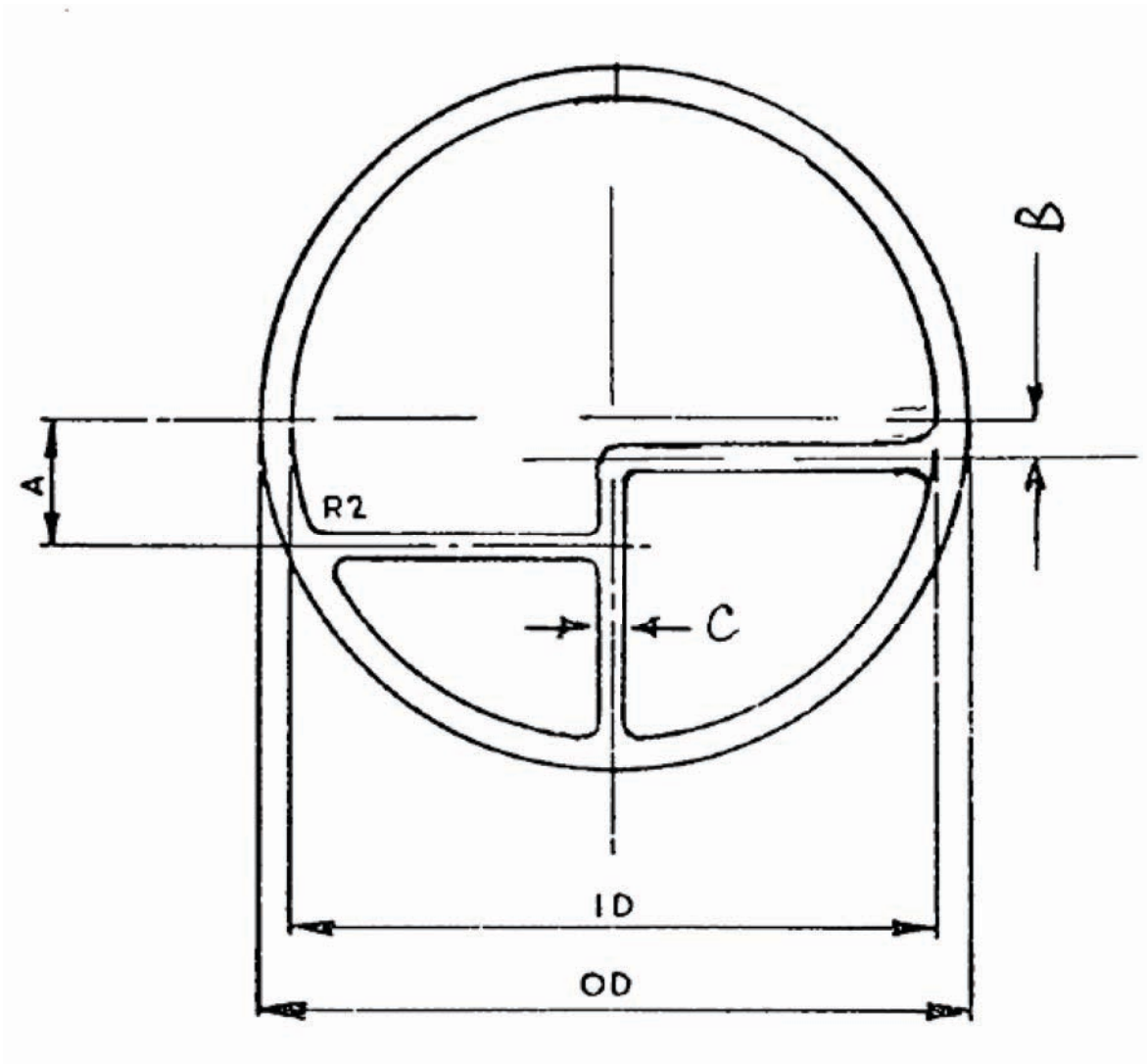
This information is, to the best of our knowledge, accurate and reliable to the date indicated. The above mentioned data have been obtained by tests we consider as reliable. We don't assure that the same results can be obtained in other laboratories, using different conditions by the preparation and evaluation of the samples.

ERIKS shape type 1T4



This information is, to the best of our knowledge, accurate and reliable to the date indicated. The above mentioned data have been obtained by tests we consider as reliable. We don't assure that the same results can be obtained in other laboratories, using different conditions by the preparation and evaluation of the samples.

ERIKS shape type 1T5



This information is, to the best of our knowledge, accurate and reliable to the date indicated. The above mentioned data have been obtained by tests we consider as reliable. We don't assure that the same results can be obtained in other laboratories, using different conditions by the preparation and evaluation of the samples.